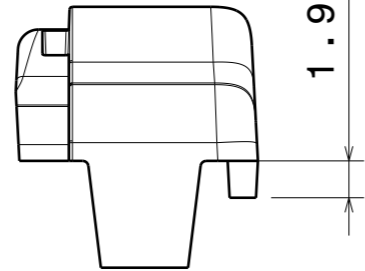
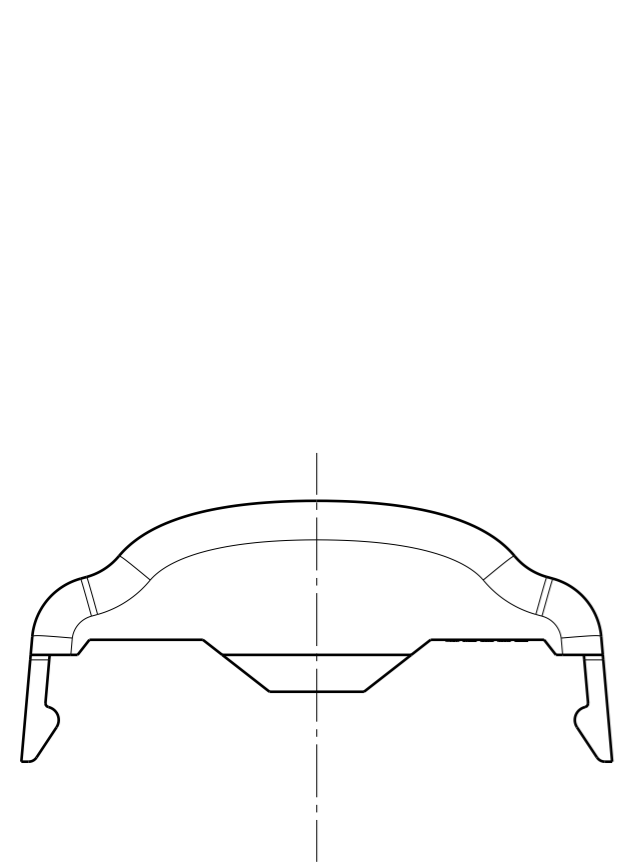
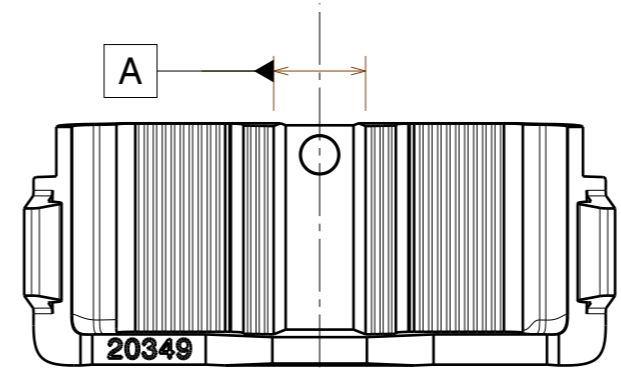


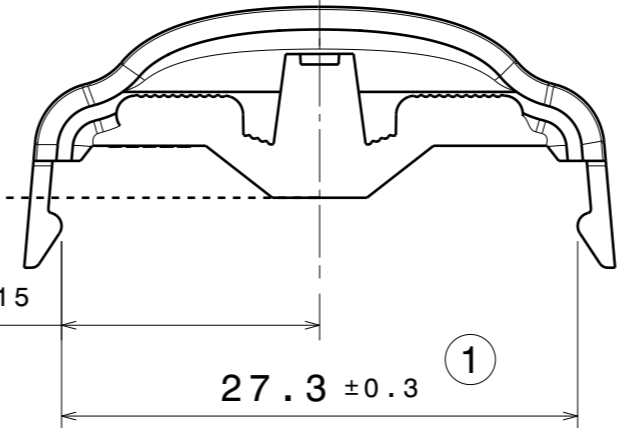
REV	DATE
001	24.10.2025



③
1.95 ± 0.15

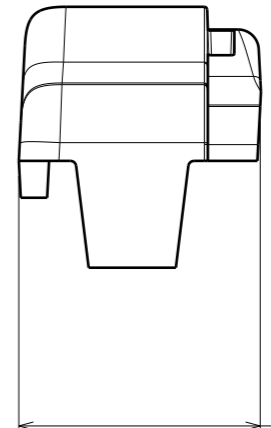
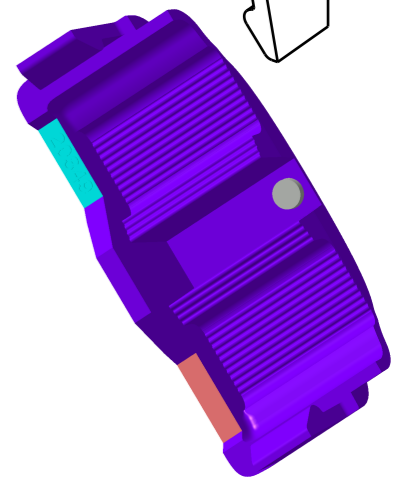
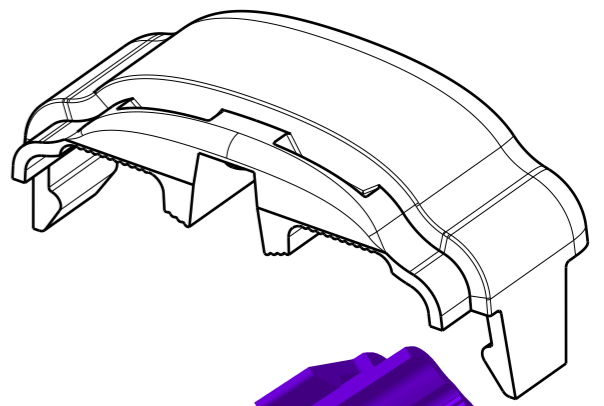


20349

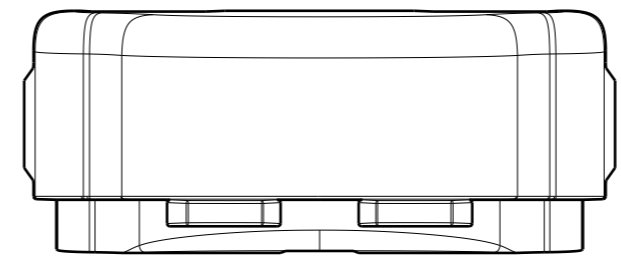


②
13.65 ± 0.15

①
27.3 ± 0.3



④
12.77 ± 0.2



PART	TYPE	MATERIAL	COLOR / COATING
L20349_LINA-UP-END-F_004_MechanicalModel_001	LENS	PMMA	CLEAR

MECHANICAL DRAWING	
PRODUCT LINA	
Plastic moulding general tolerances according to DIN 16901-130 and applies if not otherwise shown in the drawing. Silicone moulding general tolerances according to ISO 3302-1 Class M3 and applies if not otherwise shown in the drawing.	FIRST ANGLE PROJECTION:
SCALE 5:1	WEIGHT 1,7g

LEDiL	
This drawing is the property of LEDiL Oy. It may not be copied or otherwise distributed without prior written permission from LEDiL Oy.	
A3	SHEET 1/1

Notes

	PCB or heatsink level.
	LED location
	Ensure LED fitting from a product specific 3D model available from www.ledil.com
	For more details about installation please see LEDiL Installation Guide on www.ledil.com